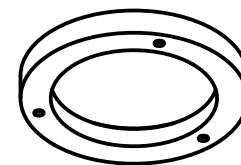
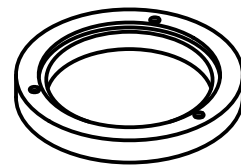
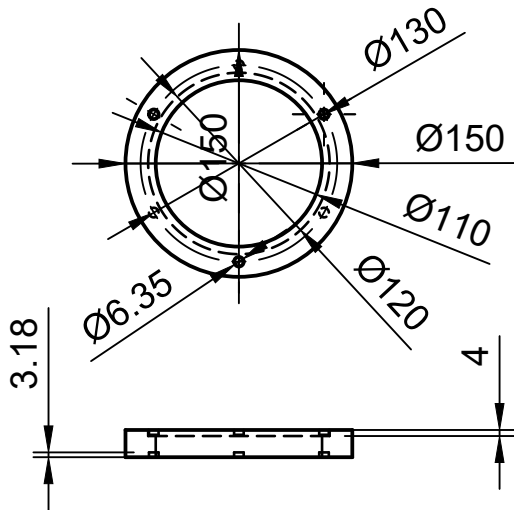
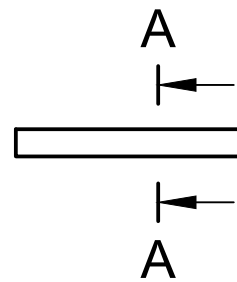
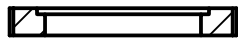


A-A (1:5)



Dept.	Technical reference	Created by <b>Joris Navarro</b> 01/02/2018	Approved by	
		Document type	Document status	
		Title <b>HappyRing2</b>	DWG No.	
		Rev.	Date of issue	Sheet <b>1/1</b>